



**PL1 LED Luminaire**

A Revolutionary breakthrough in display lighting the PL1 LED Luminaire is the first light source that delivers full control of the beam color composition irrespective of intensity.

Drawing on technology and specific insight, nurtured and developed, within the Philips Entertainment group the PL1 meets the everyday challenges of illuminating the world’s museums, art galleries and stages. A lighting instrument that extends the creative possibilities with light while significantly reducing the impact of our activities on the environment.



**PL1 LED Luminaire**

**Features**

- Fully tunable high output LED light engine supporting color temperatures from 3000K to 5600K and full color mixing with a maximum output similar to that of a 70 watt metal halide powered luminaire.
- High CRI is maintained down to very low light levels (>50 Lux) as the integral dimmer (0 to 100%) reduces intensity with minimal color shift maintaining the selected color balance
- Quick selection of Warm White, Cool White and Daylight color presets simplifies matching existing light sources
- Adjustable 14°-50° true white soft edge beam which can be shaped using the barn door accessory
- Defined maximum energy consumption with power presets - from 30 watts to full power
- LED light engine comprise a single chip with RGBW LEDs
- Full color mixing for creative flexibility in lighting your display - up to six user defined presets states available on the Advanced Remote Control luminaire - PL1 LED luminaire features a broad color gamut with precise color mixing controls
- No ultra-violet (wavelengths of less than 400nm) - for UV-A, B or C or the Infrared spectrum (wavelengths of more than 775nm) are emitted by PL1 LED luminaires
- Advanced Remote Control model includes on-board LCD menu for ease of fixture set up and addressing; Hand held Infrared remote control includes most programming functions
- Advanced model features LED system status, power settings, fan control, and a time log to show hours in use
- Choice of track, ceiling / canopy, and pipe mounting options
- Luminaire color options: white or black
- Electronic power supply; ETL / cETL approved and CE marked

**PHILIPS**  
**Entertainment**

SPECIFICATION SUBMITTAL

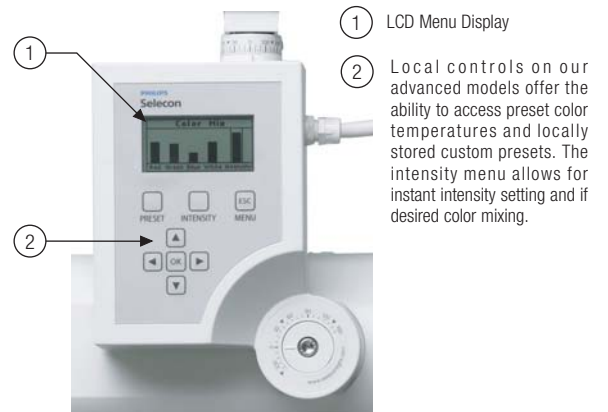
CONSULTANT: <input type="text"/>	PROJECT NAME: <input type="text"/>	MODEL NUMBER   QUANTITY: <input type="text"/> <input type="text"/> <input type="text"/> <input type="text"/> <input type="text"/> <input type="text"/>
DATE: <input type="text"/>	PROJECT NUMBER: <input type="text"/>	APPROVED BY: <input type="text"/>



# PL1 LED Luminaire

## Advanced Control

The PL1 LED luminaire has an on-board LCD menu system for luminaire setup, control, and addressing. The menu system is extremely user-friendly and offers all configuration options with a few button presses.



## Infrared Remote Control

Climbing ladders is not an option in many applications with displays often blocking access to luminaires. The PL1IRR infrared remote is available for all but the basic version of the PL1 luminaire range. The remote allows users convenient access to intensity, preset color temperatures or full color mixing from the floor.



PL1IRR Remote Control

## Vision.net Control

Photocell and occupancy sensor control can be integrated as part of a PL1 display lighting solution to minimize the exposure of sensitive art works to light or to manage color temperature transitions over time (e.g., day to night).

Strand Lighting's Vision.net interface offers the flexibility of remote lighting control with a simple user interface from either Touchscreens or button and fader stations. These easy to use controllers provide an intuitive interface for both display and energy management applications.



Touchscreen Controls



Occupancy / Photocell Controls



Button / Slider Station Controls



## **PL1 LED Luminaire**

### **Lighting for Designers with...**

- An adjustable beam 14 – 50 degrees
- Mask the light to illuminate only what you want to be seen
- Absolute color control
- Precise intensity control
- Homogeneous beam, free of multi colored shadows

The PL1 LED luminaire extends the creative opportunities of lighting design to tell a story, command attention, and direct emotion.



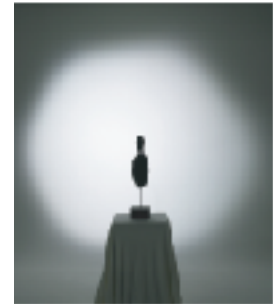
**PL1 LED Luminaire shown with Barndoor Option**

### **Lighting for Every Need**

For the first time the needs of Display Designers, Gallery and Museum Curators and the creative presentation team are met as the PL1 LED luminaire delivers crisp white light and vibrant colors at an intensity required for the best conservation practices, free from UV and IR. The sophisticated control functions deliver maximum power settings; life hour records and the ability to integrate with control systems to best manage light exposure.



**PL1 LED luminaire at Daylight and Warm White settings**



**Photometrics** *(preliminary)*

**Wide - 50° Field Angle**

	(Metres)				(Feet)			
	Beam Diameter	2.0	4.0	6.0	8.0	6.0	12.0	19.9
Throw Distance	2.0	4.0	6.0	8.0	6.0	12.0	20.0	25.0
Central Illumination	(Lux)				(Footcandles)			
Warm White (3,200K)	977	244	109	61	94	23	8	5
Cool White (4,000K)	1166	291	130	73	112	28	10	6
Daylight (5,600K)	1271	318	141	79	122	30	11	7

**Medium - 33° Field Angle**

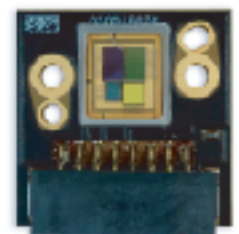
	(Metres)				(Feet)			
	Beam Diameter	1.8	3.6	4.7	5.9	5.3	10.7	14.2
Throw Distance	3.0	6.0	8.0	10.0	10.0	20.0	25.0	32.0
Central Illumination	(Lux)				(Footcandles)			
Warm White (3,200K)	1750	438	246	158	168	42	24	15
Cool White (4,000K)	2110	528	297	190	202	51	28	18
Daylight (5,600K)	2300	575	323	207	221	55	31	20

**Narrow - 14° Field Angle**

	(Metres)				(Feet)			
	Beam Diameter	0.7	1.5	2.0	2.5	2.5	4.4	5.9
Throw Distance	3.0	6.0	8.0	10.0	10.0	20.0	25.0	32.0
Central Illumination	(Lux)				(Footcandles)			
Warm White (3,200K)	6060	1515	852	545	471	145	82	52
Cool White (4,000K)	7150	1788	1005	644	555	171	96	62
Daylight (5,600K)	7900	1975	1111	711	614	189	107	68

**PL1 LED Engine**

PL1's powerful LED engine offers exceptional performance and life. Under normal operating conditions our LED engine has a life expectancy in excess of 50,000 hours, however under worst case operating conditions with the luminaire set to continuous full output it is possible that a small percentage of LED's may require replacement sooner. The Philips Selecon three-year limited warranty includes our guarantee against premature failure of the LED engine.



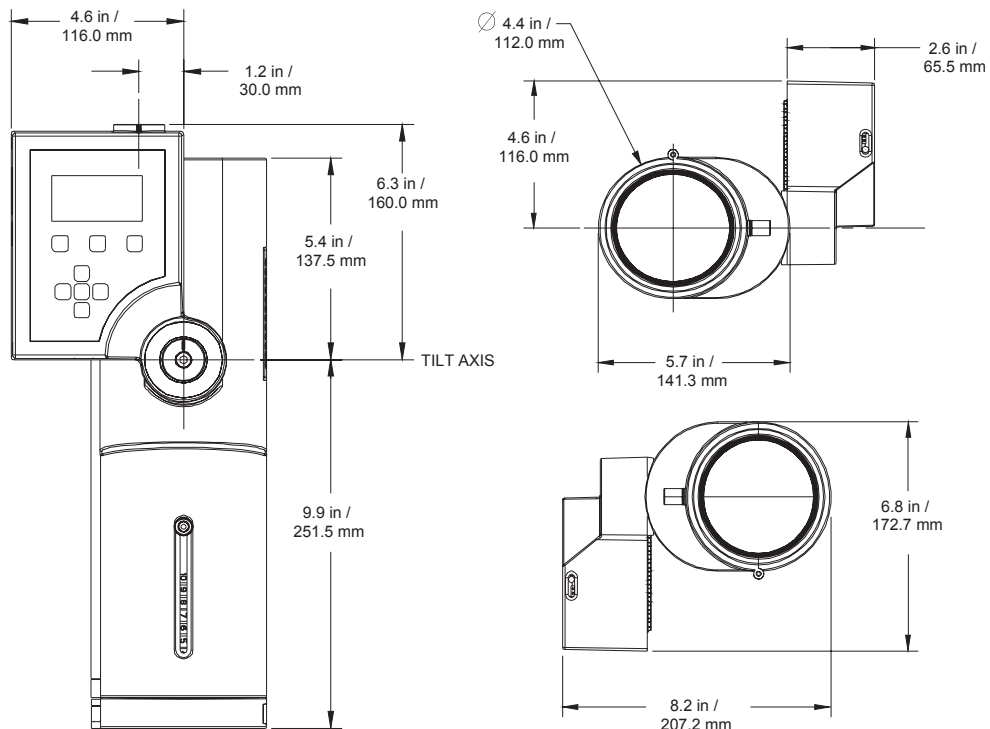


Technical Specifications

Electrical Specifications		Mechanical Specifications	
Source:	True RGBW 120W LED chip	Construction:	Die cast aluminum and moulded engineering grade plastic components
Output:	> 2,000 lumens (white light)	Color Options:	White or Black
Operating Voltages:	120 to 240 Volts AC (auto-ranging)	Weight:	8.0 lbs / 3.6 kg (luminaire only)
Frequency:	50/60 Hz	Lenses:	Precision coated aspheric lenses
Current Draw	1.91 Amps (120V) / 0.95 Amps (240V)		
Ambient Temperature:	0° to 40°C		
Control:	On-board menu / DMX512 / Strand Lighting Vision.net / Infrared Remote Control (depends on model)		
Standards Compliance:	ETL/cETL Listed and CE Marked		



Dimensions



**Ordering Information**

**Cat No. Description**

<b>PL1 LED Luminaire with Remote (Local / DMX / IR) Control (North American Market)</b>		<b>Accessories - PL1 LED Luminaire Infrared (IR) Remotes</b>	
PL1RC01CAN01	PL1 LED Luminaire, Spot, Remote Control, Canopy Mount, White	PL1IRR	PL1 LED Luminaire IR Remote Preset Programmer
PL1RC01TLOLO1	PL1 LED Luminaire, Spot, Remote Control, Lightolier Track Adapter fitted, White	<b>Accessories - PL1 LED Luminaire Barndoors &amp; Filter Holders</b>	
PL1RC01TLSI01	PL1 LED Luminaire, Spot, Remote Control, LSI Track Adapter fitted, White	PL1CF	PL1 LED Luminaire Color Filter Holder
PL1RHC01	PL1 LED Luminaire, Spot, Remote Control, fitted with a Half Coupler, 39-inch AC Input Cable with Specified Connector, White	PL1BD0103	PL1 LED Luminaire Barndoor, White Exterior, Black Interior
PL1RC03CAN03	PL1 LED Luminaire, Spot, Remote Control, Canopy Mount, Black	PL1BD03	PL1 LED Luminaire Barndoor, Black Exterior, Black Interior
PL1RC03TLOLO3	PL1 LED Luminaire, Spot, Remote Control, Lightolier Track Adapter fitted, Black	<b>Accessories - PL1 LED Luminaire DMX Cables</b>	
PL1RC03TLSI03	PL1 LED Luminaire, Spot, Remote Control, LSI Track Adapter fitted, Black	PL1DMXFRJ45	PL1 LED Luminaire DMX cable XLR5 Female to RJ45 12 in. / 305 mm White
PL1RHC03	PL1 LED Luminaire, Spot, Remote Control, fitted with a Half Coupler, 39-inch AC Input Cable with Specified Connector, Black	PL1DMXFRJ46	PL1 LED Luminaire DMX cable XLR5 Female to RJ45 12 in. / 305 mm Black
<b>PL1 LED Luminaire with Remote (Local / DMX / IR) Control (International Markets)</b>		PL1DMXMRJ47	PL1 LED Luminaire DMX cable XLR5 Male to RJ45 12 in. / 305 mm White
PL1RT01	PL1 LED Luminaire, Spot, Remote Control, Universal 3 Circuit Track Adapter, White	PL1DMXMRJ48	PL1 LED Luminaire DMX cable XLR5 Male to RJ45 12 in. / 305 mm Black
PL1RT03	PL1 LED Luminaire, Spot, Remote Control, Universal 3 Circuit Track Adapter, Black	<b>Accessories - PL1 LED Luminaire Tool</b>	
PL1RC01	PL1 LED Luminaire, Spot, Remote Control, Ceiling Rose, White	ARLAKTOOL	Allen Wrench Hand Tool with 2.5 mm, 3.0 mm, 4 mm, and 5 mm Hex Keys*
PL1RC03	PL1 LED Luminaire, Spot, Remote Control, Ceiling Rose, Black	<b>Accessories - Connectors (North American Market)</b>	
PL1RHC01	PL1 LED Luminaire, Spot, Remote Control, fitted with Half Coupler, 1 metre AC Input Cable, White	GR	15A NEMA 5-15P Male Edison Connector
PL1RHC03	PL1 LED Luminaire, Spot, Remote Control, fitted with Half Coupler, 1 metre AC Input Cable, Black	GP	20A, Male Stage Pin Connector
		GTL	20A, NEMA L5-20P Male Twist-Lock Connector

Note: \* An ARLAKTOOL Allen Wrench tool is included with each PL1 LED Luminaire.

**Selecon Lighting**

**Dallas**

10911 Petal Street  
 Dallas, Texas 75238  
 Tel: (214) 647-7880  
 Fax: (214) 647-8030

**New York**

267 5th Ave, 4th Floor  
 New York, NY 10016  
 Tel: (212) 213-8219  
 Fax: (212) 532-2593

© Philips Group 2010  
 All rights reserved.  
 The Company reserves the right to make any variation in design or construction to the equipment described. E&OE

For further information on the PL1 including the Operation manual please visit the Philips Selecon web site at: [www.seleconlight.com](http://www.seleconlight.com)

**Auckland**

19-21 Kawana Street  
 Northcote, Auckland 0627  
 New Zealand  
 Tel: + 64 9 481 0100  
 Fax: + 64 9 481 0101

**Asia**

Room 6-10,  
 20/F Delta House  
 3 On Yiu Street  
 Shatin, N.T. Hong Kong  
 Tel: + 852-2757-3033  
 Fax: + 852-2757-1767

**Europe**

European Service & Distribution Centre  
 Marssteden 152  
 Enschede 7547 TD  
 the Netherlands  
 Tel: +31-53-4500424  
 Fax: +31-53-4500425

**PHILIPS**

**Entertainment**