



**PL3 LED Luminaire**

A revolutionary breakthrough in stage and studio lighting, the PL3 LED Luminaire delivers full control of the beam color composition irrespective of intensity.

Drawing on technology and specific insight, nurtured and developed, within the Philips Entertainment group the PL3 meets the everyday challenges of illuminating the world’s stages and studios. A lighting instrument that extends the creative possibilities with light while significantly reducing the impact of our activities on the environment.



**PL3 LED Luminaire**

**Features**

- High output LED luminaire delivering the output of a 1000/1200-watt Fresnel
- Infinite color choice from the three RGBW engines, supporting color temperatures from 3000K to 5600K
- Variable beam angle from a 15 degree spot to a 55 degree flood angle - flood angle can be shaped using the four or eight door barndoor accessory
- Homogenized fully mixed "white" light, no multiple color shadows
- 25,000 hour life before degradation in light output and quality is expected
- Quick selection of Warm White, Cool White, and Daylight color presets simplifies matching existing light sources
- Up to six user defined on board presets states available to record your color composition
- Constant color balance down to very low light levels irrespective of intensity setting
- DMX512 input with 8 or 16-bit resolution
- Motorized Zoom to adjust beam angle - local and remote control
- Remote focusing pan / tilt motors accessory kit - a cost effective solution for remote repositioning of the beam
- Hand held Infrared remote control (sold separately) with pan/tilt/focus control as well as color and intensity control
- On-board LCD menu for ease of luminaire set up and addressing
- Wireless DMX option
- No ultra-violet (wavelengths of less than 400nm) - for UVA, B or C or the Infrared spectrum (wavelengths of more than 775nm)
- Luminaire color: black (white available to special order)
- Electronic power supply; ETL / cETL approved and CE marked



SPECIFICATION SUBMITTAL

CONSULTANT: <input type="text"/>	PROJECT NAME: <input type="text"/>	MODEL NUMBER   QUANTITY: <input type="text"/> <input type="text"/> <input type="text"/> <input type="text"/> <input type="text"/> <input type="text"/>
DATE: <input type="text"/>	PROJECT NUMBER: <input type="text"/>	APPROVED BY: <input type="text"/>



### PL3 LED Luminaire

#### Advanced Control

The PL3 LED luminaire has an on-board LCD menu system for luminaire setup, control, and addressing. The menu system is extremely user-friendly and offers all configuration options with a few button presses.

#### Infrared Remote Control

PL3 stage and studio luminaires all feature support for a handheld infrared remote to control the luminaire when you want to focus your luminaire from the stage or studio floor. The remote provides direct control of all colors, intensity, focus and the optional pan and tilt motors. The remote can also access the three white presets (warm, cool, daylight) plus six additional stored presets for use when the luminaire is used on location. All of these features can also be accessed from a console at the same time.

#### Wireless DMX Control

Working on location? Having trouble getting data to your light on set? All PL3 luminaires support wireless DMX control for instant connections without running control wiring. Each wireless receiver also has a DMX out port to control adjacent luminaires.

#### Console Control

All PL3 luminaires support wired and wireless DMX control with a choice of 8 or 16 bit control resolution. With the increased development of LED luminaires like PL1 and PL3 with 4 or more colors additional control is needed for intuitive operation. All Palette family controls now support extended color control and color temperature control to simplify programming and luminaire color matching.



PL3 Luminaire Advanced Control



- ① LCD Menu Display
- ② Local controls offer the ability to access preset color temperatures; locally stored custom presets adjust intensity; colors and motorized focus.



Strand Lighting Light Palette VL



### PL3 LED Luminaire

#### Lighting for Designers with...

- An adjustable beam 15 to 55 degrees
- Available barndoors or snoot provide beam control
- Absolute color control
- Precise intensity control
- Homogeneous beam, free of multi colored shadows

The PL3 LED luminaire extends the creative opportunities of lighting design to tell a story, command attention, and direct emotion.



PL3 LED Luminaire shown with Barndoor Option

#### Lighting for Every Need

The PL3 luminaire delivers color balanced whites for stage, television and film production along with beautiful colors to meet the needs of lighting directors and designers everywhere. The long life of the LED engines reduces maintenance cost dramatically and when combined with the energy savings they deliver users will quickly see the total cost of ownership benefits.

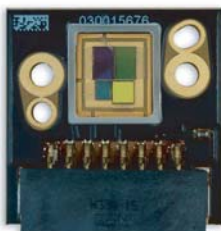


PL3 LED luminaire at Daylight and Warm White settings



#### PL3 LED Engine

PL3's powerful LED engines offer exceptional performance and life. Under normal operating conditions our LED engine has a life expectancy in excess of 25,000 hours, however under worst case operating conditions with the luminaire set to continuous full output it is possible that a small percentage of LEDs may require replacement sooner. The Philips Selecon three-year limited warranty includes our guarantee against premature failure of the LED engine.





Photometrics (preliminary)

PL3 - Wide (56° Field Angle)

	Meters				Feet			
	2.0	4.0	6.0	8.0	6.0	12.0	18.0	24.0
Throw Distance								
Beam Diameter	2.1	4.2	6.4	8.5	6.4	12.7	19.1	25.5

	Wattage*	Central Illumination (Lux)				Wattage	Central Illumination (Footcandles)			
		2327	582	259	145		223	56	25	14
Warm White	148	2327	582	259	145	148	223	56	25	14
Cool White	205	2962	741	329	185	205	284	71	32	18
Daylight	246	3396	849	377	212	246	326	81	36	20
Blue	78	179	45	20	11	78	17	4	2	1
Red	70	683	171	76	43	70	65	16	7	4
Green	136	1951	488	217	122	136	187	47	21	12

PL3 - Narrow (15° Field Angle)

	Meters				Feet			
	4.0	8.0	12.0	16.0	12.0	24.0	36.0	50.0
Throw Distance								
Beam Diameter	1.0	2.1	3.1	4.1	3.1	6.2	9.3	13.0

	Wattage*	Central Illumination (Lux)				Wattage	Central Illumination (Footcandles)			
		8140	2035	904	509		781	195	87	45
Warm White	148	8140	2035	904	509	148	781	195	87	45
Cool White	205	10501	2625	1167	656	205	1007	252	112	58
Daylight	246	12068	3017	1341	754	246	1157	289	129	67
Blue	78	659	165	73	41	78	63	16	7	4
Red	70	2326	582	258	145	70	223	56	25	13
Green	136	6923	1731	769	433	136	664	166	74	38

Note: \*Wattage refers to total power consumed at the recorded preset LED levels.

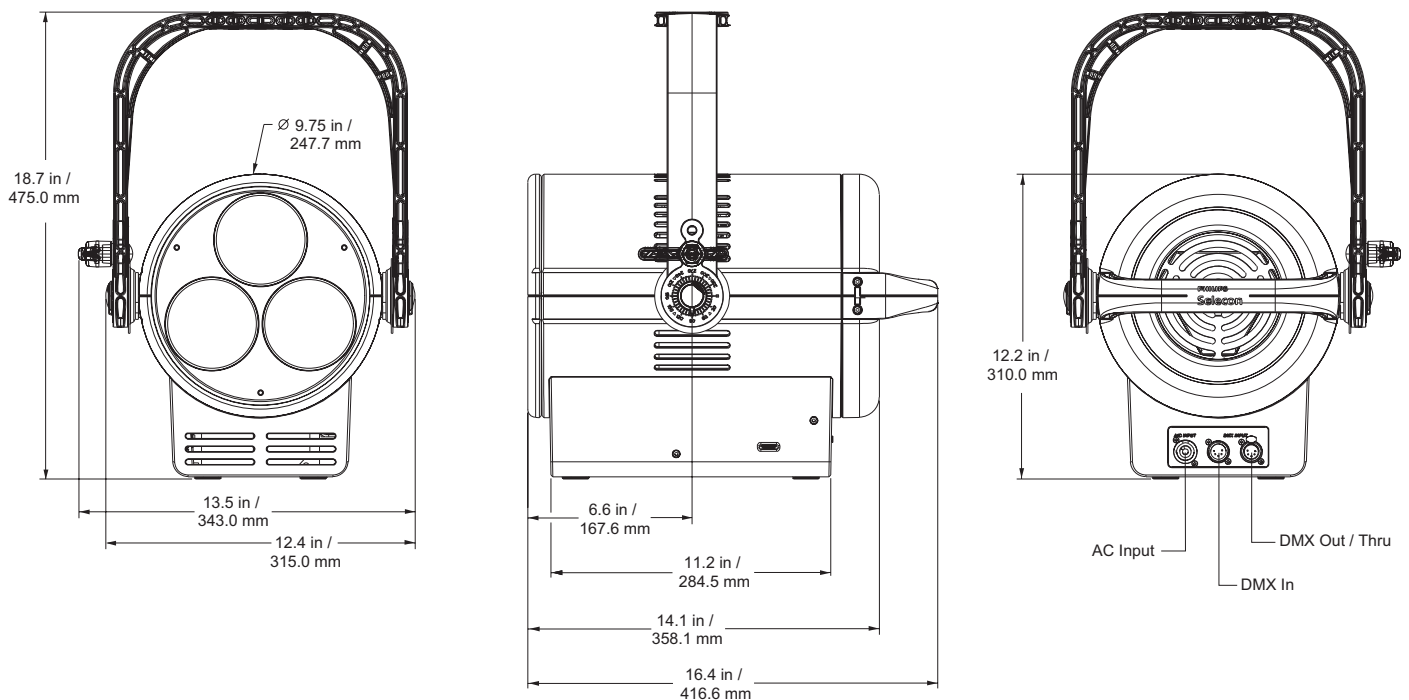


Technical Specifications

Electrical Specifications		Mechanical Specifications	
Source:	3 Each, True RGBW 120W LED chips	Construction:	Machined aluminum, sheet metal, and moulded engineering grade plastic components
Output:	> 6,000 lumens (white light)	Color:	Black (consult factory for white option)
Operating Voltages:	120 to 240 Volts AC (auto-ranging)	Weight:	22.1 lbs / 10.1 kg (luminaire only)
Frequency:	50/60 Hz	Lenses:	Precision coated aspheric lenses
Current Draw	4.60 Amps (120V) / 2.35 Amps (240V) - Maximum load with all LEDs at full RGBW		
Ambient Temperature:	0° to 50°C (32° to 122°F)		
Control:	On-board menu / DMX512 / Infrared Remote Control		
Standards Compliance:	ETL/cETL Listed and CE Marked		



Dimensions





**PL3 LED Luminaire shown with  
Accessory Holder Option**



**Ordering Information**

**Cat No. Description**

<b>PL3 LED Luminaire</b>	
PL3	PL3 LED Luminaire, Black
<b>Accessories - Infrared (IR) Remotes</b>	
PL3IRR	PL3 LED Luminaire IR Remote Preset Programmer
<b>Accessories - Pan &amp; Tilt Movement</b>	
PL3MKIT	PL3 LED Luminaire Pan & Tilt Kit (Pan Motor Module, Tilt Motor Module, Pan Cable Assembly, and Tilt Cable Assembly)
<b>Accessories - Barndoors &amp; Holders</b>	
PL3ACH	PL3 LED Luminaire Accessory Holder with Frame
20BDSF2020	Barndoor, Black
20CFSF2020	Spare Colour Frame
<b>Accessories - Wireless DMX</b>	
PL3WDMX	PL3 LED Luminaire Wireless DMX Receiver (Wireless DMX standard)
PL3LDMX	PL3 LED Luminaire Wireless DMX Receiver (Lumen Radio standard)
<b>Accessories - Clamps</b>	
USCLAMP	C-Clamp for 3/4-inch to 1-1/2-inch Pipe
<b>Accessories - AC Power Input Cables</b>	
<b>Spare Power Input Cables</b>	
PL3BE	PL3 Luminaire AC Power Input Cable (39 inches / 1 meter), Powercon (luminaire AC in) with no connector (bare end - user to supply connector)
PL3CSP	PL3 Luminaire AC Power Input Cable (39 inches / 1 meter), Powercon (luminaire AC in) with Stagepin Connector (to power source)
PL3CTL	PL3 Luminaire AC Power Input Cable (39 inches / 1 meter), Powercon (luminaire AC in) with Twistlock Connector (to power source)
PL3CE	PL3 Luminaire AC Power Input Cable (39 inches / 1 meter), Powercon (luminaire AC in) with Edison Connector (to power source)
<b>Accessories - Connectors</b>	
GR	15A NEMA 5-15P Male Edison Connector
GP	20A, Male Stage Pin Connector
GTL	20A, NEMA L5-20P Male Twist-Lock Connector
Note: All PL3 luminaires ship with a 39 inch/1 meter power input cable. Add GR-GP-GTL to the part number to have a connector installed. All other accessories sold separately.	

**Selecon Lighting**

**Dallas**

10911 Petal Street  
Dallas, Texas 75238  
Tel: (214) 647-7880  
Fax: (214) 647-8031

**New York**

267 5th Ave, 4th Floor  
New York, NY 10016  
Tel: (212) 213-8219  
Fax: (212) 532-2593

© Philips Group 2010  
All rights reserved.  
The Company reserves the right to make any variation in design or construction to the equipment described. E&OE

For further information on the PL3 including the Operation manual please visit the Philips Selecon web site at: [www.seleconlight.com/pl3](http://www.seleconlight.com/pl3)

**Auckland**

19-21 Kawana Street  
Northcote, Auckland 0627  
New Zealand  
Tel: + 64 9 481 0100  
Fax: + 64 9 481 0101

**Asia**

Room 6-10,  
20/F Delta House  
3 On Yiu Street  
Shatin, N.T. Hong Kong  
Tel: + 852-2757-3033  
Fax: + 852-2757-1767

**Europe**

European Service & Distribution Centre  
Marssteden 152  
Enschede 7547 TD  
the Netherlands  
Tel: +31-53-4500424  
Fax: +31-53-4500425

**PHILIPS**

**Entertainment**