



# SPX Ellipsoidal

## ELLIPSOIDALS FOR THE 21ST CENTURY



**A precision lighting instrument delivering the highest efficiency in ERS fixtures combined with the performance excellence, and user-friendly operational and safety features you expect from Philips Selecon.**

### Features

Up to 27% more efficient than current industry benchmark units.

Fully adjustable beam distribution from flat to true peak field.

SEVEN optical systems: 15°-35° and 25°-50° Zoomspots; 14°, 19°, 26°, 36° and 50° Fixed Beams.

ALL lens tubes interchangeable and can be ordered separately.

Designed to manage the power and heat from high output tungsten halogen 750W sources.

More light and high contrast pattern projections - fully adjustable beam distribution from peak (3:1) to flat (2:1) using intuitive adjustment solution.

Precise positioning with rigid molded yoke, shutter clamp lock, and reference scales on tilt, lens and lens tube angle settings.

Compartmental heat management system exhausts the heat away from the critical lamp socket and cabling to minimize heat damage.

Minimal light spill with enclosed front color frame / accessory holder.

Dual accessory slots for simultaneous use of 'B' size gate patterns, rotators and irises.

360° barrel rotation.

Mains isolation via micro-switch for maximum safety while re-lamping.

Ease of maintenance – full access to all lens surfaces for cleaning.

Three-year warranty.

### Lamps: 120V

**575W GLC** 400hrs average life

**575W GLA** 1500 hours average life

**750W GLD** 300hrs average life

**750W GLE** 1500 hours average life

### Ordering information

#### Complete Luminaire

<b>SPX1535</b>	SPX 15°-35° Zoomspot
<b>SPX 2550</b>	SPX 25 -50° Zoomspot
<b>SPX14</b>	SPX 14° Fixed Beam
<b>SPX19</b>	SPX 19° Fixed Beam
<b>SPX26</b>	SPX 26° Fixed Beam
<b>SPX36</b>	SPX 36° Fixed Beam
<b>SPX50</b>	SPX 50° Fixed Beam

#### Accessories

<b>20IRIS</b>	20-leaf Iris
<b>SPXGHB</b>	'B' Pattern Holder
<b>SPXGHGB</b>	'B' Pattern Holder – glass
<b>19PACSMFB</b>	Lens Safety Mesh
<b>19SPXCF</b>	Color Frame
<b>USCLAMP</b>	Spare US theatrical C-clamp

### Approvals

ETL / cETL listed to UL 1573.

## SPECIFICATION SUBMITTAL

CONSULTANT: <input type="text"/>	PROJECT NAME: <input type="text"/>	MODEL NUMBER   QUANTITY: <input type="text"/>
DATE: <input type="text"/>	PROJECT NUMBER: <input type="text"/>	APPROVED BY: <input type="text"/>



## Photometric Data

Zoom 15° - 35°		Beam Diameter (feet)				
at 15°	15°	0	5.4	8.0	12.1	16.1
Throw Distance (feet)		0	20	30	45	60
Central illumination (Footcandles)						
*Philips 6981P 750W 115V	15°	Peak	889	395	176	99
		Flat	628	279	124	70

Zoom 15° - 35°		Beam Diameter (feet)				
at 35°	35°	0	11.5	18.4	27.6	34.5
Throw Distance (feet)		0	15	25	35	45
Central illumination (Footcandles)						
*Philips 6981P 750W 115V	35°	Peak	511	184	94	57
		Flat	361	130	66	40

Zoom 25° - 50°		Beam Diameter (feet)				
at 25°	25°	0	4.6	9.2	15.3	22.9
Throw Distance (feet)		0	10	20	30	45
Central illumination (Footcandles)						
*Philips 6981P 750W 115V	25°	Peak	1623	406	180	80
		Flat	1148	287	128	57

Zoom 25° - 50°		Beam Diameter (feet)				
at 50°	50°	0	11.7	23.5	39.1	46.9
Throw Distance (feet)		0	10	20	30	35
Central illumination (Footcandles)						
*Philips 6981P 750W 115V	50°	Peak	489	122	54	40
		Flat	301	75	33	25



Fixed 14°		Beam Diameter (feet)					
		14°	0	8.2	12.3	20.5	24.5
Throw Distance (feet)		0	30	50	70	90	
		<b>Central illumination (Footcandles)</b>					
*Philips 6981P 750W 115V		14°	Peak	459	165	84	51
			Flat	370	133	68	41


Fixed 19°		Beam Diameter (feet)					
		19°	0	9.0	13.6	20.3	28.2
Throw Distance (feet)		0	25	40	55	70	
		<b>Central illumination (Footcandles)</b>					
*Philips 6981P 750W 115V		19°	Peak	523	204	108	67
			Flat	370	144	76	47

Fixed 26°		Beam Diameter (feet)					
		26°	0	8.0	16.0	24.0	32.0
Throw Distance (feet)		0	15	30	45	60	
		<b>Central illumination (Footcandles)</b>					
*Philips 6981P 750W 115V		26°	Peak	744	186	83	46
			Flat	548	137	61	34

Fixed 36°		Beam Diameter (feet)					
		36°	0	11.9	19.1	28.6	35.8
Throw Distance (feet)		0	15	25	35	45	
		<b>Central illumination (Footcandles)</b>					
*Philips 6981P 750W 115V		36°	Peak	394	142	72	44
			Flat	246	88	45	27

Fixed 50°		Beam Diameter (feet)					
		50°	0	11.7	19.5	31.3	39.1
Throw Distance (feet)		0	10	15	25	30	
		<b>Central illumination (Footcandles)</b>					
*Philips 6981P 750W 115V		50°	Peak	406	180	65	45
			Flat	255	114	41	28



G9.5 Lamp	Manu. Code	Voltage	Wattage	ANSI	Life to 50% Failure [nom]	Lamp Candela (Cd) [nom]	15-35° ZOOM				25-50° ZOOM					FIXED BEAM				
							at 15°	at 35°	at 25°	at 50°	14°	19°	26°	36°	50°					
	Philips 6982P	240	800	GKV	200	20,000	0.91	0.92	0.94	0.90	0.78	0.95	0.85	0.87	0.86					
	<i>Philips 6986P</i>	<i>240</i>	<i>600</i>	<i>GKV</i>	<i>300</i>	<i>14,700</i>	<i>0.69</i>	<i>0.69</i>	<i>0.71</i>	<i>0.63</i>	<i>0.62</i>	<i>0.73</i>	<i>0.67</i>	<i>0.66</i>	<i>0.66</i>					
	<i>Philips 6991P</i>	<i>240</i>	<i>600</i>	<i>GLB</i>	<i>1500</i>	<i>13,000</i>	<i>0.67</i>	<i>0.67</i>	<i>0.62</i>	<i>0.55</i>	<i>0.55</i>	<i>0.64</i>	<i>0.59</i>	<i>0.58</i>	<i>0.58</i>					
	Philips 6982P	230	800	GKV	200	20,000	0.91	0.92	0.94	0.90	0.78	0.95	0.85	0.87	0.86					
	<i>Philips 6986P</i>	<i>230</i>	<i>600</i>	<i>GKV</i>	<i>300</i>	<i>14,700</i>	<i>0.69</i>	<i>0.69</i>	<i>0.71</i>	<i>0.63</i>	<i>0.62</i>	<i>0.73</i>	<i>0.67</i>	<i>0.66</i>	<i>0.66</i>					
	<i>Philips 6991P</i>	<i>230</i>	<i>600</i>	<i>GLB</i>	<i>1500</i>	<i>13,000</i>	<i>0.61</i>	<i>0.61</i>	<i>0.62</i>	<i>0.55</i>	<i>0.55</i>	<i>0.64</i>	<i>0.59</i>	<i>0.58</i>	<i>0.58</i>					
	Philips 6981P	115	750	-	300	20,500	1.00	1.00	1.00	1.00	1.00	1.00	1.00	1.00	1.00					
	Philips 6989P	115	575	GLC	400	15,500	0.88	0.84	0.83	0.81	0.85	0.84	0.84	0.79	0.79					
	<i>Philips 6992P</i>	<i>115</i>	<i>575</i>	<i>GLA</i>	<i>1500</i>	<i>13,500</i>	<i>0.77</i>	<i>0.73</i>	<i>0.72</i>	<i>0.71</i>	<i>0.74</i>	<i>0.73</i>	<i>0.73</i>	<i>0.69</i>	<i>0.69</i>					
	<i>Osram HP GLG</i>	<i>115</i>	<i>375</i>	<i>GLG</i>	<i>300</i>	<i>10,000</i>	<i>0.57</i>	<i>0.54</i>	<i>0.54</i>	<i>0.52</i>	<i>0.55</i>	<i>0.54</i>	<i>0.54</i>	<i>0.51</i>	<i>0.51</i>					

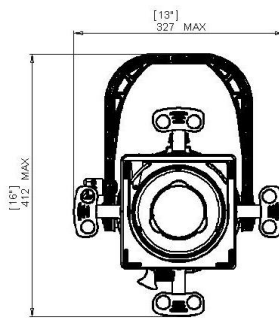
Note:  
Photometric Tests conducted under laboratory conditions with calibrated lamps at the rated voltage, data then normalised to nominal Lamp Candela  
Figures in Red Italics extrapolated from test data

## Physical Data

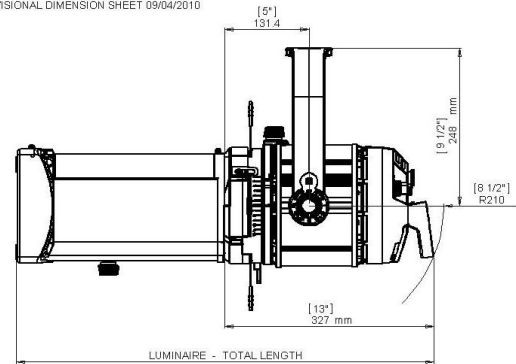
Gobo size: B

Luminaire supplied with: 1x 6 1/4" x 6 1/4" color frame, 1x fitted safety chain, 1x C-clamp and instruction sheet.

## Size Diagrams and Weights



SPX - PROVISIONAL DIMENSION SHEET 09/04/2010



### North America

10911 Petal Street  
Dallas, Texas 75238  
Tel: +1 214 647 7880  
Fax: +1 214 647 8030

267 5th Ave, 4th Floor  
New York, NY 10016  
Tel: +1 212 213 8219  
Fax: +1 212 532 2593

### New Zealand

19-21 Kawana Street  
Northcote, Auckland 0627  
Tel: +64 9 481 0100  
Fax: +64 9 481 0101

### Hong Kong

Room 6-10  
20/F Delta House  
3 On Yiu Street  
Shatin, N.T.  
Tel: +852 2757 3033  
Fax: +852 2757 1767

### European Service & Distribution Centre

Marssteden 152  
Enschede 7547 TD  
the Netherlands  
Tel: +31 53 450 0424  
Fax: +31 53 450 0425

	Lens Angle	Lens Tube Length		Luminaire Total Length		Approx. Weight for Complete Luminaire	
		metric (mm)	imperial (")	metric (mm)	imperial (")	metric (kg)	imperial (lbs)
Fixed	14	400	15.7	700	27.6	8.3	18.25
	19	310	12.2	610	24.0	8.3	18.25
	26	270	10.6	570	22.4	8.3	18.25
	36	250	9.8	550	21.7	8.3	18.25
	50	200	7.9	500	19.7	8.3	18.25
Zoom	15-35	370	14.6	670	26.4	8.3	18.25
	25-50	280	11.0	580	22.8	8.3	18.25

© Philips Group 2010

All rights reserved.

The Company reserves the right to make any variation in design or construction to the equipment described.  
E&OE