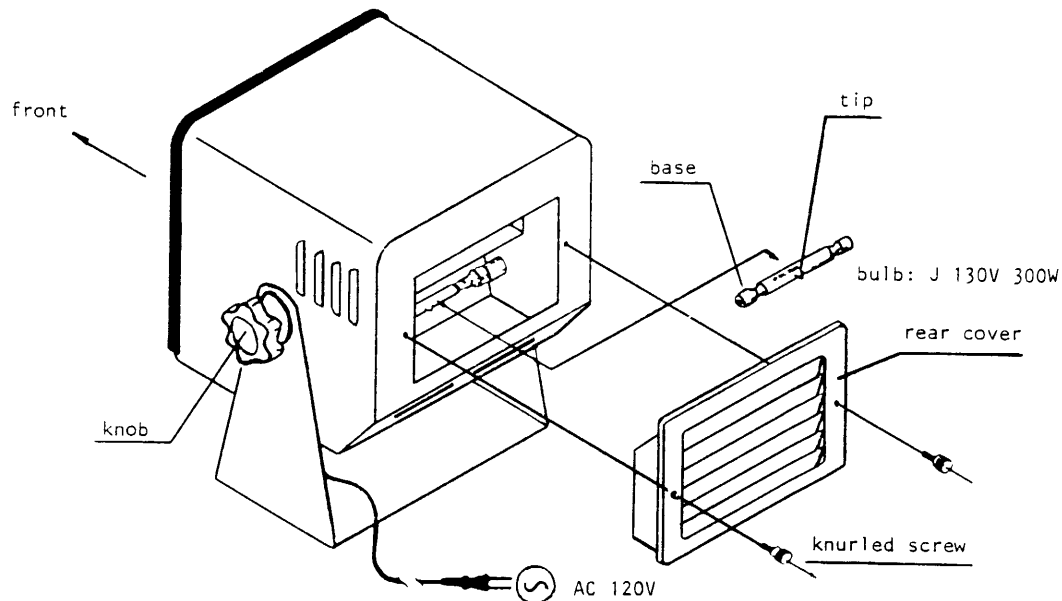


Rainbow Lamp

RL 300



BULB REPLACEMENT

Loosen the two knurled screws of the rear louvered cover and remove the cover. After allowing the bulb to cool, grasp the bulb to slide it right or left, and pressing it to one side, pull the other side toward you to remove. When handling the new bulb, do not touch it with bare fingers. Hold it with a clean glove or cloth. After placing the new bulb in position, gently rotate it until the "tip" of the bulb faces toward you as in the illustration. Failure to position the "tip" correctly may result in an unfocused rainbow.

VENTILATION

In order to keep the temperature of the Rainbow Lamp at a moderate level, the lamp has a built-in fan as well as ventilating louvers on each side and at the back. Place the lamp to allow an adequate flow of air through the louvers. A built-in thermostat will cause the lamp to blink at regular intervals if it is not being cooled adequately.

ADJUSTMENT OF THE RAINBOW POSITION

Loosen the two knobs on the yoke and adjust the tilt.

FOCUSING

All Rainbow Lamps are prefocused. To change focus, loosen the four adjustment screws and move the lens bracket. The screws are designated in the lower illustration, and are apparent after removing the cover.

